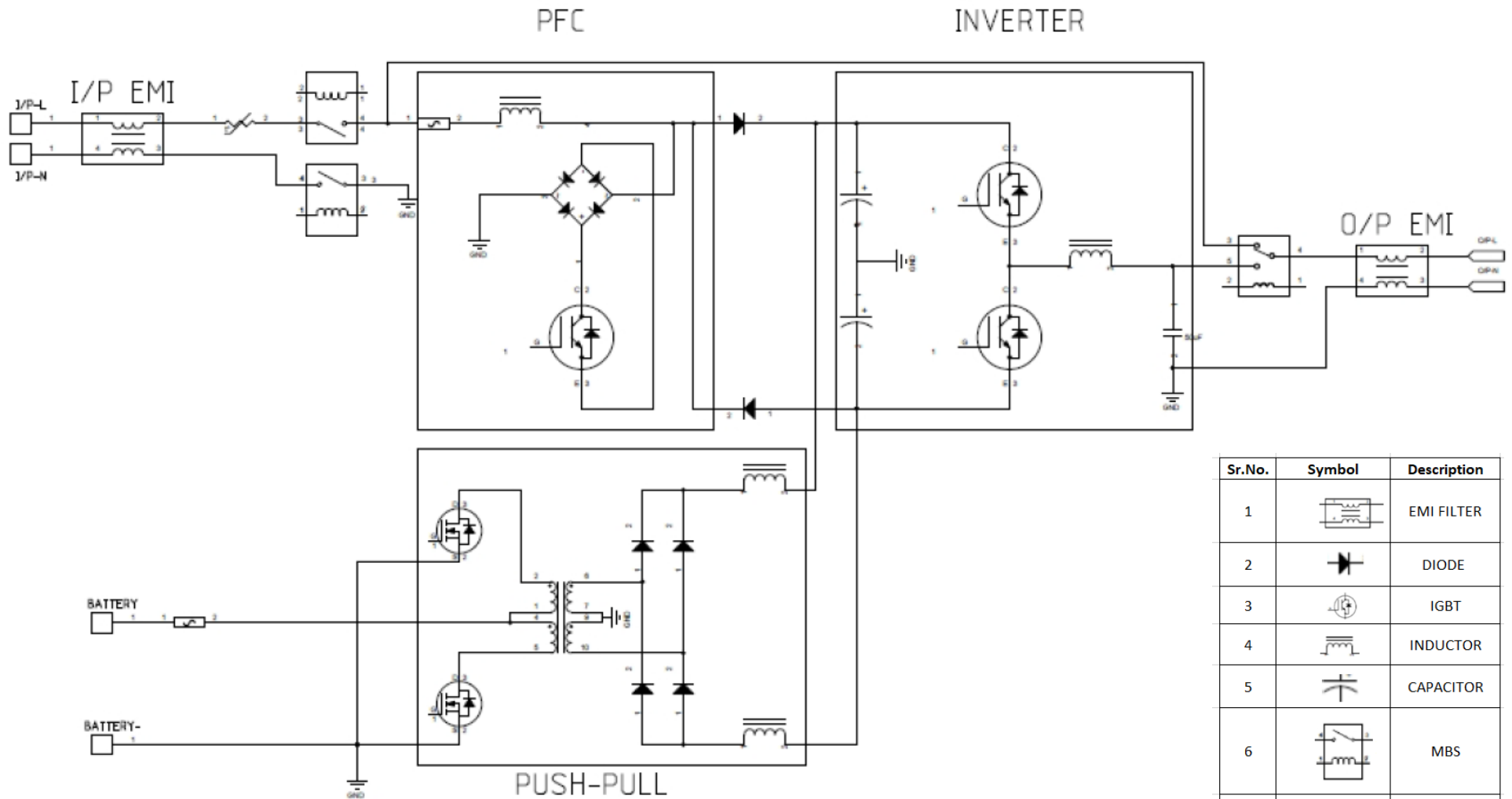


IF ANY DOUBT ASK



Sr.No.	Symbol	Description
1		EMI FILTER
2		DIODE
3		IGBT
4		INDUCTOR
5		CAPACITOR
6		MBS
7		MCB

PRINTS OF PREVIOUS REVISION NO. SHOULD BE SCRAPPED	KUIDFC PROJECTS	0	FIRST ISSUE DOC.	11.11.2025	NA
	PROJECT	REV.	DESCRIPTION	DATE	REMARK
THIS DRAWING IS PROPERTY OF PROSTARM. IT MUST BE RETURNED ON REQUEST. IT IS SUBMITTED AS CONFIDENTIAL INFORMATION WITH OUR ENQUIRY, TENDER, ORDER, OR CONTRACT NO. IT IS NOT TO BE ISSUED FOR ANY OTHER PURPOSE OR ORDER NOR MAY BE COPIED OR LENT WITHOUT AUTHORITY IN WRITING	TITLE- POWER WIRING - 1kVA UPS SYSTEM 1PH:1PH	DRAWING NO. PISL/SLD/001			SHEET 1 OF 1
	PROSTARM INFO SYSTEMS LTD. S.No.37/1 to 4/1/4 Pisoli Pune - 411048 Maharashtra (INDIA)	TOLERANCE	APPROVED	UMESH IKHE	DRG. SIZE
		MATERIAL	CHECKED	SWAGATIKA NAIK	A4
APPROX. WEIGHT	DRAFTED	AAVESH MANIYAR			