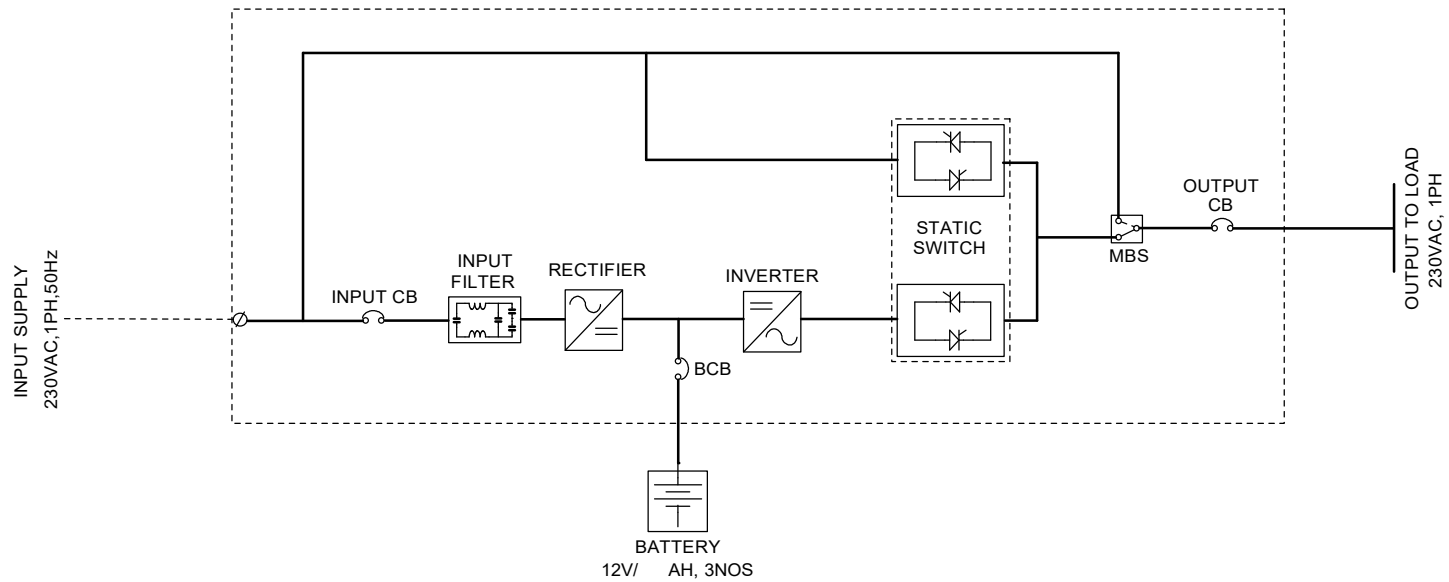



**SINGLE LINE DIAGRAM 1:1**



IF ANY DOUBT ASK

PRINTS OF PREVIOUS REVISION NO. SHOULD BE SCRAPPED	0	FIRST ISSUE DOC.	03.04.2025	NA	
	REV.	DESCRIPTION	DATE	REMARK	
THIS DRAWING IS PROPERTY OF PROSTARM. IT MUST BE RETURNED ON REQUEST. IT IS SUBMITTED AS CONFIDENTIAL INFORMATION WITH OUR ENQUIRY, TENDER, ORDER, OR CONTRACT NO. IT IS NOT TO BE ISSUED FOR ANY OTHER PURPOSE OR ORDER NOR MAY BE COPIED OR LENT WITHOUT AUTHORITY IN WRITING	PROJECT	TITLE- 1 KVA ONLINE UPS 1:1 - SLD	DOCUMENT NO.	SHEET 1 OF 1	
	 <b>PROSTARM INFO SYSTEMS LTD.</b> S.No.37/1 to 4/1/4 Pisoli Pune - 411048 Maharashtra (INDIA)	TOLERANCE	NA	APPROVED	UMESH IKHE
		MATERIAL	NA	CHECKED	DILIP BIRADAR
		APPROX. WEIGHT	NA	DRAFTED	AAVESH MANIYAR
				DESIGNED	AAVESH MANIYAR
				SCALE:1:10 DRG. SIZE <b>A4</b>	