

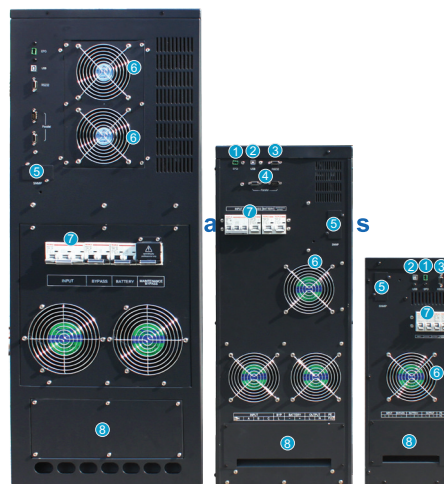
PM800

5 kVA ~ 10 kVA (1:1)
 10 kVA ~ 30 kVA (3:1)
 PF 0.8



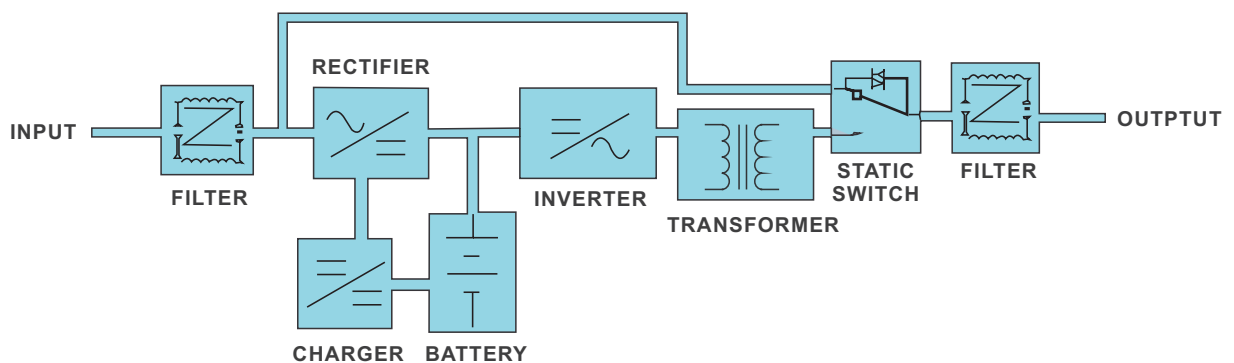
FEATURES

- Single / single-phase, three / single-phase models with on-line double conversion technology
- DSP (Digital Signal Processors) technology
- Suitable for all kinds of loads (resistive, inductive and non-linear loads etc)
- High overload capability
- Bypass dual DSP control design to enhance more reliability
- Supports dual input, hot standby
- Redundant & paralleable with advanced parallel currentsharing control technology
- Cold start and mains start function
- High charging capability: 2 A / 4 A / 6 A / 8 A / 10 A / 12 A selectable (standard), 14 A / 16 A / 18 A / 20 A / 22 A / 24 A selectable (options)
- Standard configuration with output isolation transformer
- Superior protection (surgers, short-circuit, overvoltages, undervoltages, overcharge, reverse connection protection etc)
- Advanced communications (RS232 and USB ports (standard), SNMP, dry contacts and RS485 (options)
- Other options (parallel kits, input isolation transformer, bypass isolation transformer and harmonic suppressor)



REAR PANEL

1. EPO
2. USB
3. RS232
4. Parallel port
5. SNMP (optional)
6. Fan
7. Breaker
8. Terminal



MODEL	SU5K	SU6K	SU10K	SP10K	SP15K	SP20K	SP30K
Capacity	5 kVA 4000 W	6 kVA 4800 W	10 kVA 8 kW	10 kVA 8 kW	15 kVA 12 kW	20 kVA 16 kW	30 kVA 24 kW
INPUT							
Rated voltage	220 / 230 / 240 Vac (1 Φ + N + PE)			380 / 400 / 415 Vac (3 Φ + N + PE)			
Voltage range	165 ~ 275 Vac			285 ~ 475 Vac			
Rated frequency	50 Hz / 60 Hz						
Frequency range	40 ~ 70 Hz						
Frequency tracking range	\pm 5% Hz						
BYPASS							
Rated voltage	220 / 230 / 240 Vac (1 Φ + N + PE)						
Overload	<150% - 10 Min. Load current < 150% rated current: long time running, 150-200% - 1 Min. 150% \leq load current < 200% for 1 min, 200% rated current \leq load current for >200% 200 ms						
BATTERIES							
Battery voltage	192 Vdc						
Battery type	VRLA AGM						
Number of battery	12 V x 16 pcs						
Charging voltage	216 Vdc						
EOD	168 Vdc						
Charging current	Default 8 A (2 A / 4 A / 6 A / 8 A / 10 A / 12 A selectable)						
OUTPUT							
Rated voltage	220 / 230 / 240 Vac (1 Φ + N + PE)						
Power factor	0.8						
Waveform	Sine Wave						
Rated frequency	50 Hz / 60 Hz (settable)						
Frequency precision	Mains mode: track bypass input in the state of synchronization Battery mode: 50 / 60 \pm 0.1 Hz						
Voltage precision	\pm 1%						
Recovery time of transient voltage	< 20 ms						
Crest factor	3:1						
THDV	\leq 3% (linear load); \leq 6% (non-linear load)						
Overload	Load \leq 105%: long time running, 105% < load \leq 125% for 10 min, 125% < load \leq 150% for 1 min, 150% < load \leq 200% for 200 ms, 200% < load for 100 ms						
OTHERS							
Transfer time	0 ms						
Protections	Short-circuit – overload – overvoltage - undervoltage - low battery - overtemperature						
Communications	RS232 / USB (standard); RS485 / SNMP / dry contacts (optional)						
Operating temperature	0 ~ 40°C						
Storage temperature	-25°C ~ 55°C (without batteries);						
Relative humidity	0 ~ 95% (non-condensing)						
Operating altitude	\leq 1000 m (derating 1% for each additional 100 m)						
Noise level	< 60 dB (at 1 m)						
MTBF	MTBF > 200000 h						
MTTR	MTTR < 0.5 h						
IP rating	IP 20						
Dimensions (W x D x H) (mm)	210 x 585 x 590		310 x 600 x 880		400 x 815 x 1100		
Packaged dimensions (W x D x H) (mm)	328 x 716 x 805		430 x 710 x 1080		525 x 925 x 1305		
Net weight (kg)	54	96	130	201	230	277	
Gross weight (kg)	64	108	142	216	245	292	

- All specifications subject to change without notice
- Custom-made specifications are acceptable

PROSTARM INFO SYSTEMS LTD

Corporate Office: Meridian Business Centre, 11th Floor,
Plot No. 27, Sector 30A, Sanpada Vashi Road, Navi Mumbai – 400 703.
E-Mail: sales@prostarm.com